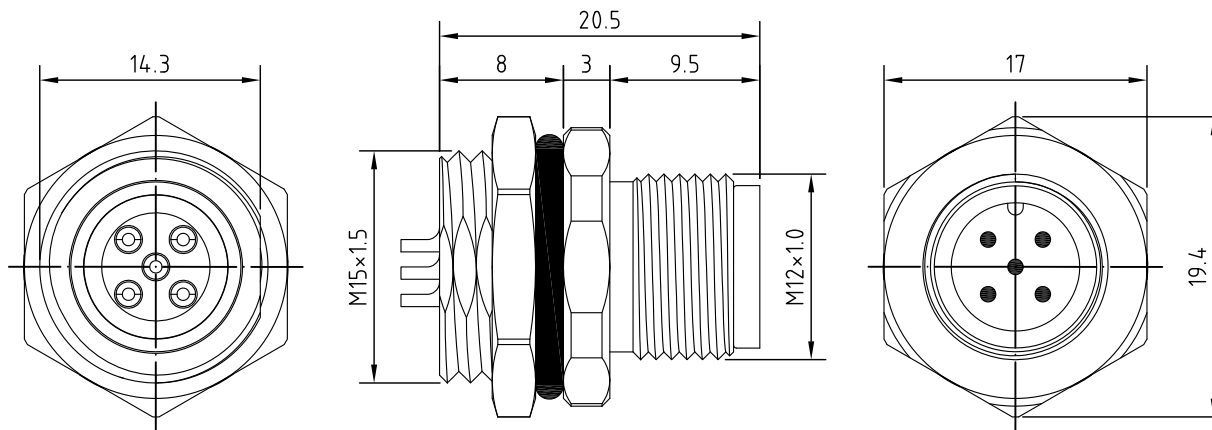


Recommended Panel cut-out



| REV. | Description                    | Date      |
|------|--------------------------------|-----------|
| 1    | add 12P arrangement            | 2012/1/2  |
| 2    | upgrade drawing                | 2014/3/24 |
| 3    | add recommended panel cut-out  | 2018/4/16 |
| 4    | panel cut-out dimension revise | 2020/9/16 |

Specification of connector

Locking system : screw M12  
 Termination : solder  
 Shell protection : IP68  
 Contact resistance :  $\leq 10\text{m}\Omega$   
 Insulation resistance :  $\geq 10\text{M}\Omega$

RoHS  
 TOLERANCE X $\pm$ 0.5 .X $\pm$ 0.3

| 5    | Nut         | Brass/Nickel plated |
|------|-------------|---------------------|
| 4    | O ring      | Rubber              |
| 3    | Body        | Brass/Nickel plated |
| 2    | Pin         | Brass/Gold plated   |
| 1    | Housing     | PA/94V-0            |
| Item | Description | Material&Plating    |

| CONTACT ARRANGEMENT FRONT VIEW (MALE) | 2P   | 3P | 4P | 5P   | 6P | 7P | 8P  | 12P |
|---------------------------------------|------|----|----|------|----|----|-----|-----|
| Rated voltage                         | 250V |    |    | 125V |    |    | 60V |     |
| Rated current                         | 5A   |    |    | 2A   |    |    | 1A  |     |



Unicable Co., Ltd. 國陽電業有限公司

5F., No. 111-33, Sec. 4, San Ho Road., San Chung Dist., New Taipei City, Taiwan  
<http://www.unicable.com.tw> Tel:+886-2-2286-2122 Fax:+886-2-2286-1010

|      |           |          |               |
|------|-----------|----------|---------------|
| DATE | 2020/9/16 | PART NO. | UT-SD170F9-XP |
| DWN  | GINA      | REV.     | 4             |
| CHK  |           |          |               |
| UNIT | MM        |          |               |

|      |                      |
|------|----------------------|
| ITEM | Sensor Connector M12 |
|------|----------------------|